

KIMMON LASER SYSTEM

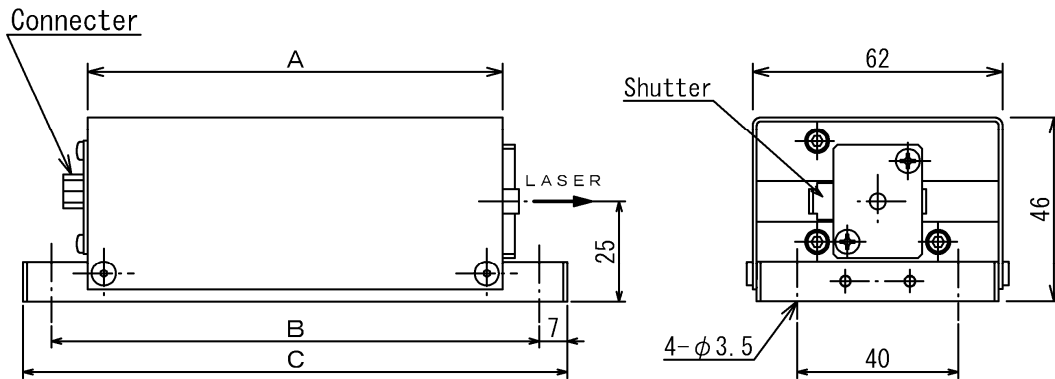
KBL-S120C-A

Wavelength : 405nm Power : 120mW

Beam Shape : Circular

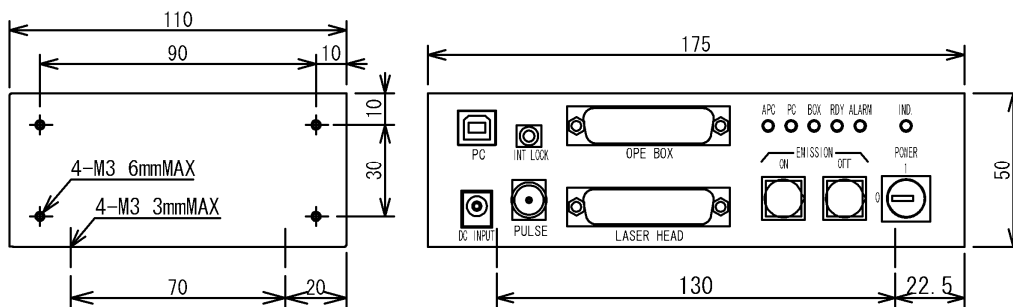


Dimension (mm)
Laser Head



| A | B | C |
|-----|-----|-----|
| 143 | 161 | 175 |

Controller



SPECIFICATIONS

| | |
|--|---|
| Model | KBL-S120C-A |
| Wavelength (nm) | 405±5 |
| Power (mW) | 120 |
| Transverse Mode | TEM ₀₀ |
| Longitudinal Mode | Multi |
| Beam Shape | Circular |
| Polarization | Linear |
| Polarization Ratio | > 100:1 |
| Noise, RMS @1Hz~10MHz (%) | < 0.5 |
| Beam Diameter 1/e ² (mm) | < 1.5* ¹ |
| Beam Divergence (mrad) | < 0.8 |
| M ² | < 1.2 |
| Beam Pointing Stability (μrad) (At 25°C constant temperature) | < 20 |
| Power Stability (%) (At 25°C constant temperature) | ≤ ±2.0 (8 hours) |
| Environmental Condition (Operation) | Temperature 10~35°C, Humidity ≤90%RH* ² |
| Environmental Condition (Storage) | Temperature -10~50°C, Humidity ≤90%RH* ² |
| Dimensions (W×H×L) (mm) | 62×46×175 |
| Weight (g) | 550 |
| Laser Class | 4 / IV |

*1 Measured at 100mm from output coupler

*2 Non-condensing

