

# KIMMON LASER SYSTEM

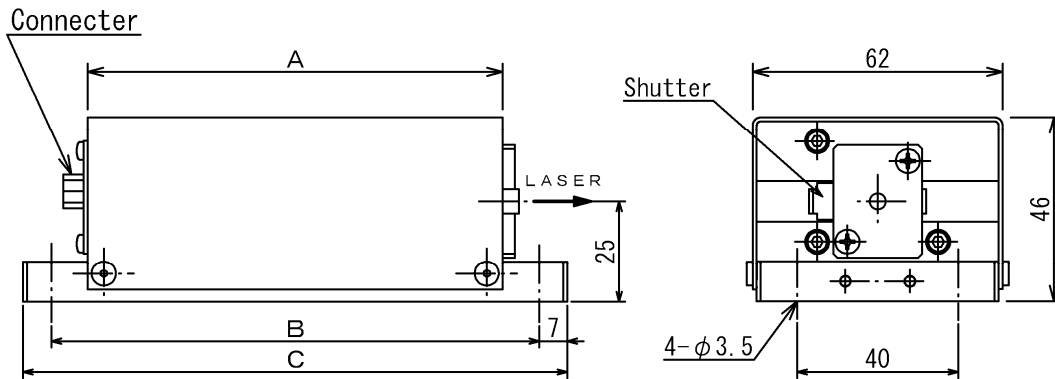
## KBL-90C-A

Wavelength : 405nm    Power : 90mW

Beam Shape : Circular

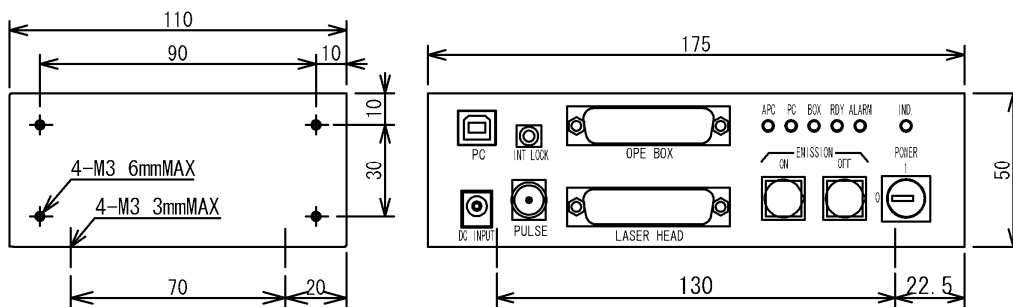


Dimension (mm)  
Laser Head



A	B	C
143	161	175

Controller



## SPECIFICATIONS

Model	KBL-90C-A
Wavelength (nm)	405±5
Power (mW)	90
Transverse Mode	TEM <sub>00</sub>
Longitudinal Mode	Multi
Beam Shape	Circular
Polarization	Linear
Polarization Ratio	> 100:1
Noise, RMS @1Hz~10MHz (%)	< 0.5
Beam Diameter 1/e <sup>2</sup> (mm)	< 1.5*1
Beam Divergence (mrad)	< 0.8
M <sup>2</sup>	< 1.2
Beam Pointing Stability (μrad) (At 25°C constant temperature)	< 20
Power Stability (%) (At 25°C constant temperature)	≤ ±2.0 (8 hours)
Environmental Condition (Operation)	Temperature 10~35°C, Humidity ≤90%RH*2
Environmental Condition (Storage)	Temperature -10~50°C, Humidity ≤90%RH*2
Dimensions (W×H×L) (mm)	62×46×175
Weight (g)	550
Laser Class	4 / IV

\*1 Measured at 100mm from output coupler

\*2 Non-condensing

