

KIMMON LASER SYSTEM

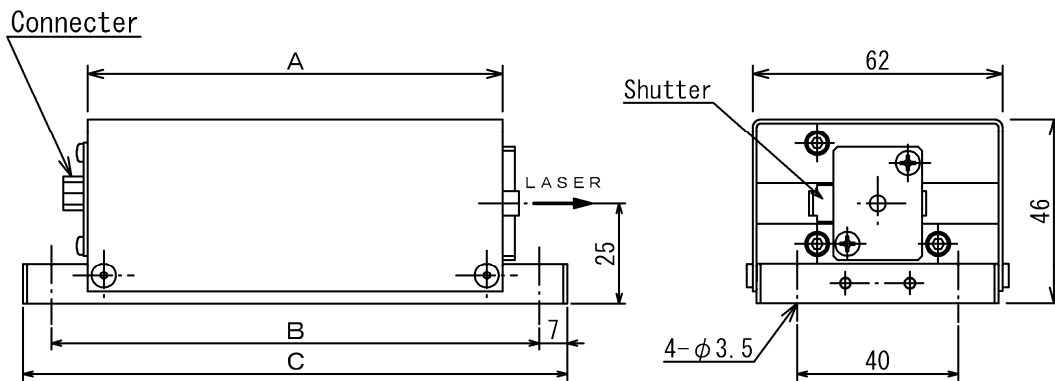
KAL-55-A

Wavelength : 375nm Power : 55mW

Beam Shape : Elliptical

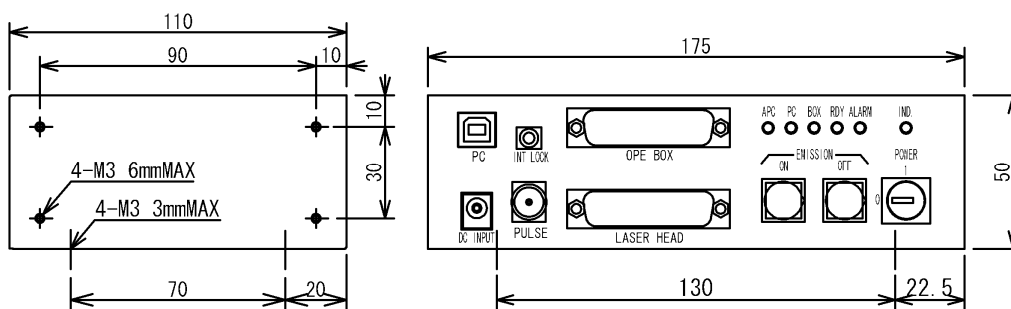


Dimension (mm)
Laser Head



A	B	C
103	121	135

Controller



SPECIFICATIONS

Model	KAL-55-A
Wavelength (nm)	375±5
Power (mW)	55
Transverse Mode	TEM ₀₀
Longitudinal Mode	Multi
Beam Shape	Elliptical
Polarization	Linear
Polarization Ratio	> 100:1
Noise, RMS @1Hz~10MHz (%)	< 0.5
Beam Diameter 1/e ² (mm)	< 1.5×3.5*1
Beam Divergence (mrad)	< 1.2
M ²	< 1.2
Beam Pointing Stability (μrad) (At 25°C constant temperature)	< 20
Power Stability (%) (At 25°C constant temperature)	≤ ±2.0 (8 hours)
Environmental Condition (Operation)	Temperature 10~35°C, Humidity ≤90%RH*2
Environmental Condition (Storage)	Temperature -10~50°C, Humidity ≤90%RH*2
Dimensions (W×H×L) (mm)	62×46×135
Weight (g)	430
Laser Class	3B / IIIb

*1 Measured at 100mm from output coupler

*2 Non-condensing

