

KIMMON LASER SYSTEM

IK5451R-E

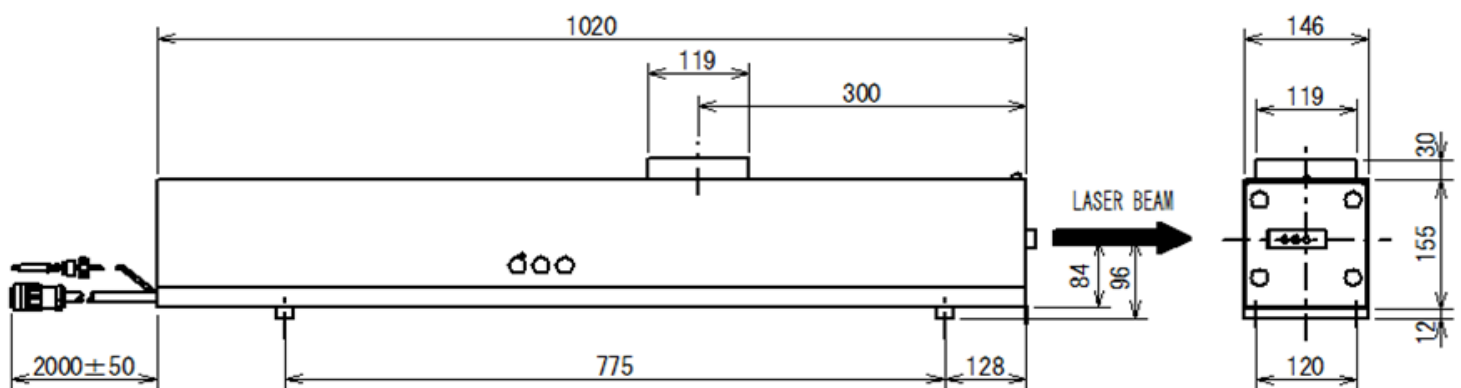
Wavelength : 325 / 442nm Power : 10 / 50mW

Transverse Mode : TEM₀₀



Dimension (mm)

IK-E



SPECIFICATIONS

Model	IK5451R-E
Wavelength (nm)	325 / 442
Power (mW)	10 / 50
Transverse Mode	TEM ₀₀
Polarization	Linear
Polarization Ratio	> 500:1
Noise, P-P @30kHz~2MHz (%)	< 10 / 10
Beam Diameter 1/e ² (mm)	< 1.0 / 1.1* ¹
Beam Divergence (mrad)	< 0.5
Beam Pointing Stability (μ rad) (At 25°C constant temperature)	≤ ± 25
Warm Up Time (90% power) (minutes)	20
Power Stability (%) (At 25°C constant temperature)	≤ ± 2.0 (4 hours)
Power Stability (10~40°C) (%)	< 20
Environmental Condition (Operation)	Temperature 10~40°C, Humidity ≤ 90%RH* ²
Environmental Condition (Storage)	Temperature -10~50°C, Humidity ≤ 90%RH* ²
Shock (with Kimmon packaging) (G)	20* ³
Dimensions (W×H×L) (mm)	146×197×1020
Weight (kg)	17.0
Laser Class	3B / IIIb

*1 Measured at 100mm from output coupler

*2 Non-condensing

*3 Vertical direction

